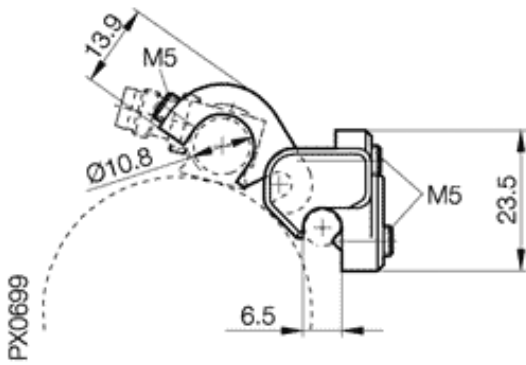


## Accessories: Mounting unit BMF 32-HW-16



### Common Data

Version  
Usable with

Bracket  
with BMF 32M... on pneumatic  
cylinder with tie rod

### Mechanical Data

Measurements WxHxD or Dia x D  
Material  
Weight  
Mounting

39.4x23  
Aluminium, anodized  
approx. 42  
clamped with threaded pin

Datasheet number::

Definitions see general catalog.  
If not otherwise noted, ratings according to  
IEC 60947-5-2 (DIN EN60947-5-2)

Balluff GmbH  
Schurwaldstrasse 9  
73765 Neuhausen a.d.F.  
Phone (07158) 173-0 Fax (07158) 5010

Datenblatt by CD-ROM - 04/2007

**BALLUFF**  
sensors worldwide